

REPSN[®]

suzhou . china



RAIN-PROOF SMPS REPSN SEIRES

RHP-400-24 / RHP-400-12 / RHP-300-5



APPLICATION

- » Industrial automation control;
- » LED lighting, industrial control equipment, power equipment;
- » Semiconductor refrigeration and heating;
- » Liquid crystal display;
- » Audio and video products, security monitoring

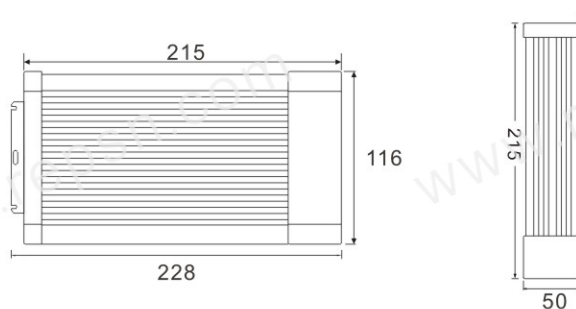
FEATURES

- » Universal AC input range AC180V - 240V;
- » The case adopts whole aluminum structure, surface colored oxidation treatment;
- » Smart chip control, automatic protection circuit when overload, over voltage, short circuit, ensure the SMPS stable and reliable;
- » Nylon plastic on both ends of the power supply, to prevent high temperature, anti freezing, prevent aging;
- » Built-in heat sink, hydraulic fan, intelligent temperature control to improve the effect of heat dissipation and prolong the service life of products;
- » Adopts single FR-4 PCB, surface screen printing on the component side, solder joint surface use gold plating process;
- » 100% full load aging test, to ensure that every product is safe and reliable, excellent quality.

PARAMETERS

Product model	RHP-400-24	RHP-400-12	RHP-300-5
Dimension(Unit:mm)	L228*W116*H50	L228*W116*H50	L228*W116*H50
Input voltage	AC187-262V	AC187-262V	AC187-262V
Output voltage	DC24V	DC12V	DC5V
Output current	16.7A	33.3 A	60 A
Output power	400W	400W	300W
Lifetime	≥20000h	≥20000h	≥20000h
Working temperature	-25~+60℃ 10%~90%RH		
Protection grade	Ip64	Ip64	Ip64

DIMENSION



ATTENTION



- » Do not installed the product place where is easily immersed;
- » Do not install the power near flammable and explosive goods;
- » Install the power supply in a well-ventilated place;
- » When the power supply installed in the outdoor, must be installed in vertical suspension way;
- » Terminal to be down(as shown in the left picture)

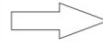
PACKING



1PC



1PC in a cardboard box



20PCS in a carton



SUZHOU REPSN PHOTOELECTRIC TECHNOLOGY CO.,LTD.

Add: NO.999 Xingdong Rd Wangshan industrial park Wuzhong district.Suzhou city.China

Tel: +86-0512 -665 36260

Http: //www.repsn.com Mail: led@repsn.com